

High Speed Dome



Horizontal TV Lines



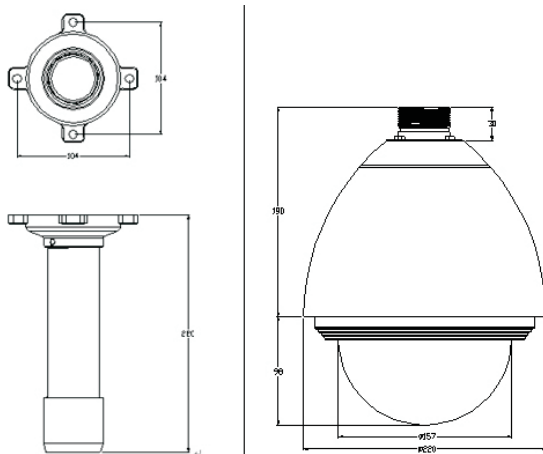
Color Camera



Weatherproof

Features

- ★ 1/4" Color CCD
- ★ 540 TV Lines of Horizontal Resolution
- ★ WDR Supported
- ★ 128 Preset Positions
- ★ Minimum 256 Dome ID
- ★ 8 Privacy Zone & 9 Touring Group
- ★ 2.1 Interlaced Scanning System



Specification

Model	SSD-700P-432D
Image Sensor	1/4" Color CCD
Signal System	PAL/NTSC
Signal Process	DSP
Scanning System	2.1 Interlaced
Horizontal Resolution	540TVL
Minimum Illumination	0.01 Lux (Digital Slow Shutter up)
S/N Ratio	Equal to or More than 50dB
PAN/Angle manual speed	0°-360° (Endless)
	More than 0.50~3000/sec (Zoom Proportional)
Tilt/Angle manual speed	0~90°
	More than 120°~1sec (Zoom Proportional)
Baud Rate	1200bps, 2400bps, 4800bps, 9600bps
Zoom Capacity	36x Optical & 12x Digital
IRIS Control	Supported
WDR	On/Off
White Balance	Selectable
Alarm Input / Output	1
Auto Exposure	Automatic level control / Electronic level control
AGC	Auto
Electronic Shutter	1/50 - 1/10000
Privacy Zone	8
Day & Night	Supported
ID (Camera Address)	256 minimum
Communication	Pelco-P\D(RS-485 Port)
Preset Position	128
Tilting Range & Speed	0 ~ 5° above horizontal to 90° max, 120° p/s
OSD	English
Back Light Compression	Off/Low/Medium/High Selectable
Scan	Auto scan, limit scan(speed adjustable)
Tour Scan	9 tour, 16 preset position per tour, speed and dwell time can be adjustable
Pattern scan	4 pattern, 15 minutes recording for each pattern
Dwell setup	Home place / autoscan / tourscan / patternscan
Body Type	IP 66
Power	AC 24V 50/60HZ 3A
Humidity	<95%
Power Consumption	15w - 25w
Operating Temperature	-20°C ~ 60°C
Mounting Bracket	Standard wall mount & pole mount(Optional)
Stand	Comes with Indoor or Outdoor

High Speed Dome Camera with OSD