

30x High Speed Dome



Horizontal TV Lines



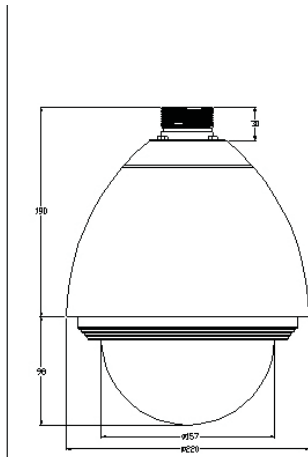
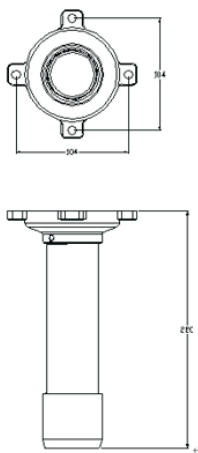
Color Camera



Weatherproof

Features

- ★ 1/4" Super HAD CCD II
- ★ 540 TV Lines of Horizontal Resolution
- ★ 30x Optical Zoom
- ★ Minimum 256 Dome ID
- ★ 2.1 Interlaced Scanning System



Specification

Model	SSD-30D
Image Sensor	1/4" Super HAD CCD II
Signal System	PAL/NTSC
Signal Process	DSP
Scanning System	2.1 Interlaced
Horizontal Resolution	540TVL
Minimum Illumination	0.01 Lux (Digital Slow Shutter up)
S/N Ratio	Equal to or More than 50dB
PAN/Angle manual speed	0°-360°
Tilt/Angle manual speed	0~90°
Baud Rate	1200bps, 2400bps, 4800bps, 9600bps
Zoom Capacity	30x Optical
IRIS Control	Supported
White Balance	Selectable
Auto Exposure	Automatic level control / Electronic level control
AGC	Auto
Day & Night	Supported
ID (Camera Address)	256 minimum
Communication	Pelco-P/D(RS-485 Port)
Back Light Compression	Off/Low/Medium/High Selectable
Scan	Auto scan, limit scan(speed adjustable)
Body Type	IP 66
Power	AC 24V 50/60HZ 3A
Humidity	<95%
Power Consumption	15w - 25w
Operating Temperature	-20°C ~ 60°C
Mounting Bracket	Standard wall mount & pole mount(Optional)

30x High Speed Dome Camera